

BAILEY

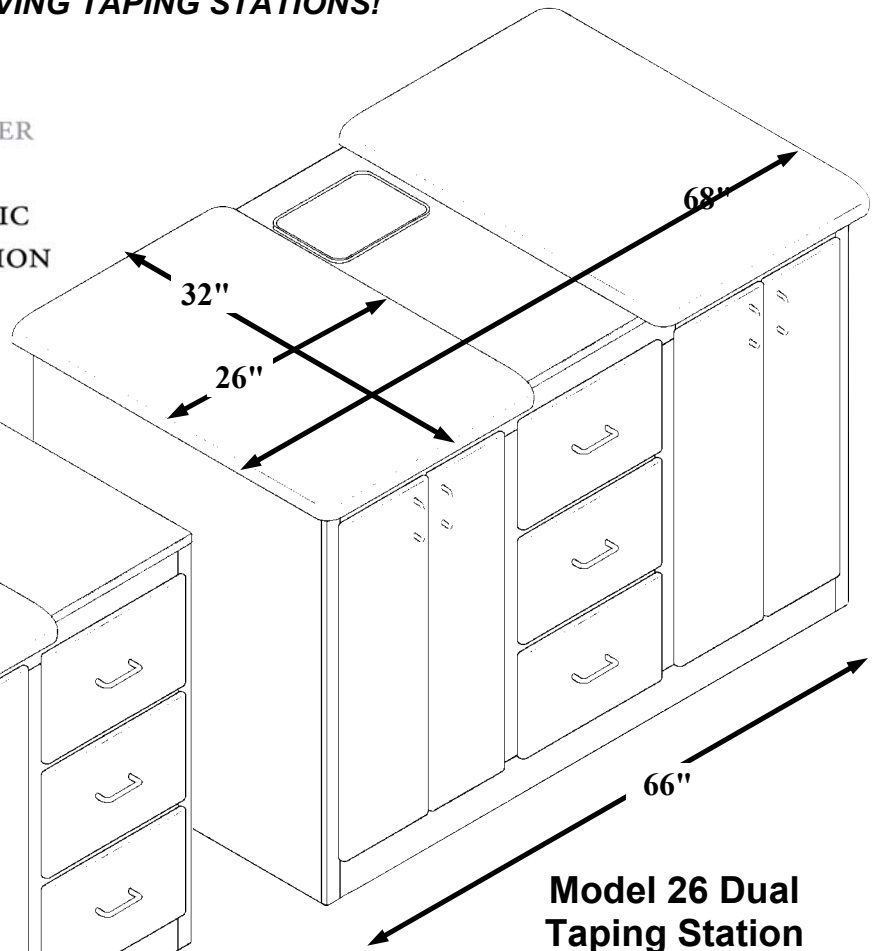
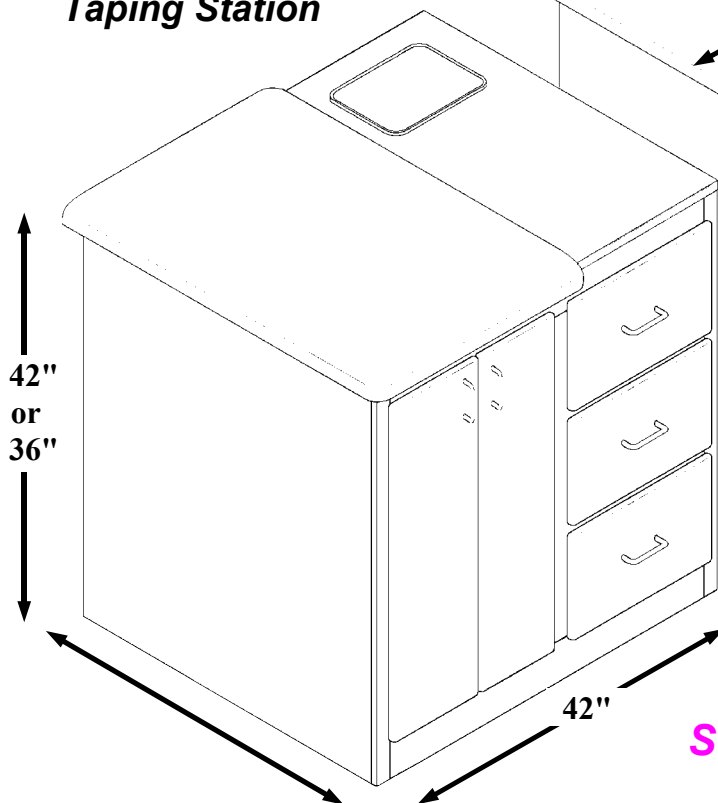
Model 26 Dual and 27 Single Taping Stations

Model 26 Dual Taping Station Features:

- 36" taping height, 42" available.
- 1" thick vinyl upholstery in US 393 Black standard, with your choice of optional Bailey upholstery colors, and either Natural or Dark Walnut wood finishes.
- 32" Deep x 26" Wide Taping Tops; Standard 28 quart Wastebin Supply Top.
- Standard Dual adjustable interior shelves & Triple Drawers.
- Optional Locks for Doors & Drawers.
- Base size 66" Wide x 30" Deep (Model 26 Dual) and 42" Wide x 30" Deep (Model 27 Single).
- Finished All-Around, use as an Island or Inline.
- Weight capacity 500 lb. per seat.
- 36"H Ship weight 300 lb. (Model 26) or 180 lb. (Model 27); Ships Fully Assembled.
- **MODEL 27 MAY "DAISY CHAINED" WITH OR WITHOUT MODEL 26 TO MAKE ANY COMBINATION OF SPACE SAVING TAPING STATIONS!**

SILVER
CORPORATE PARTNER
of the
NATIONAL ATHLETIC
TRAINERS' ASSOCIATION

Model 27 Single Taping Station



See our full catalog of products at
www.baileymfg.com